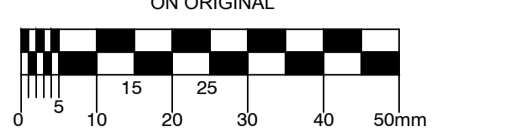
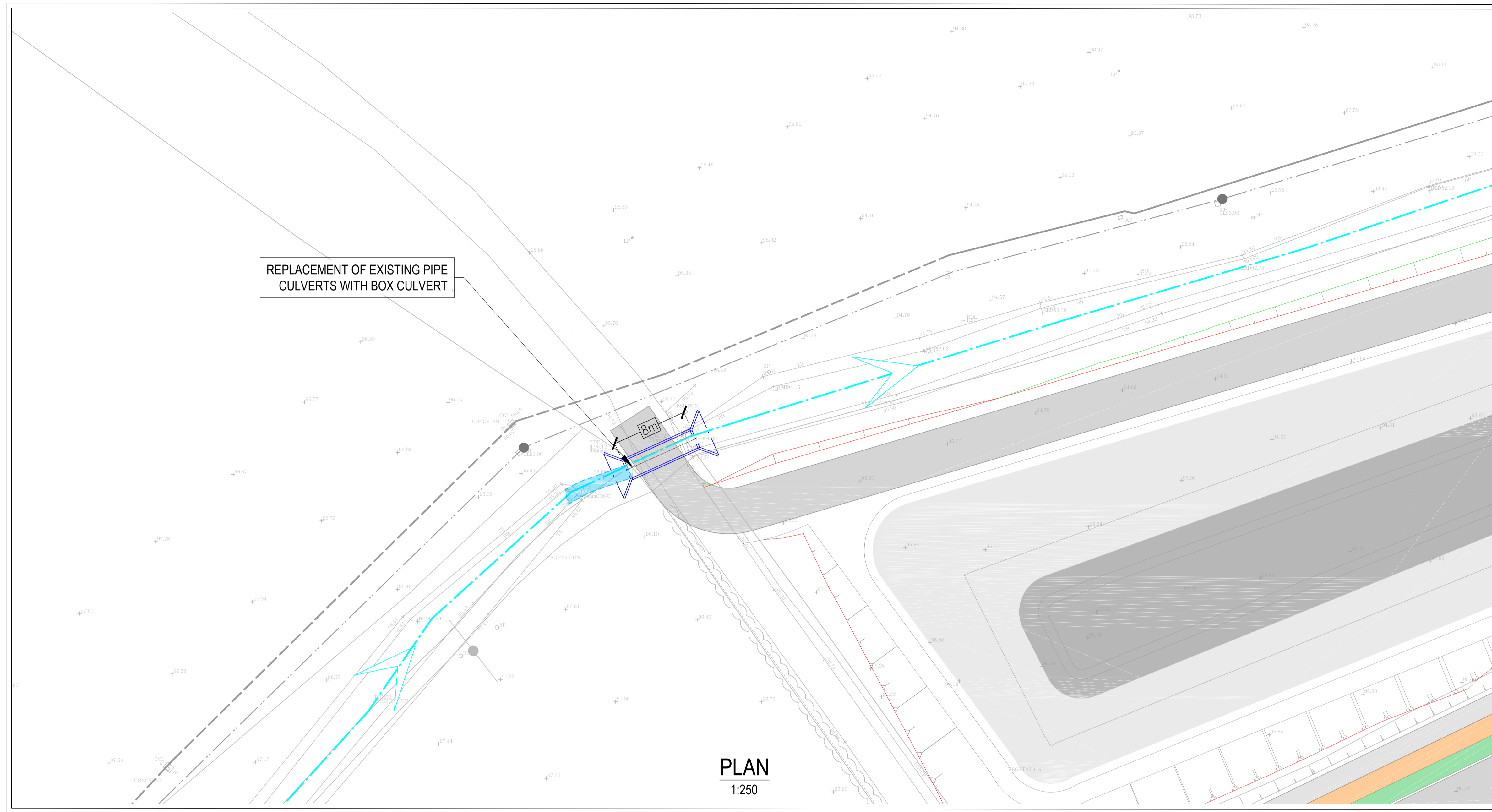
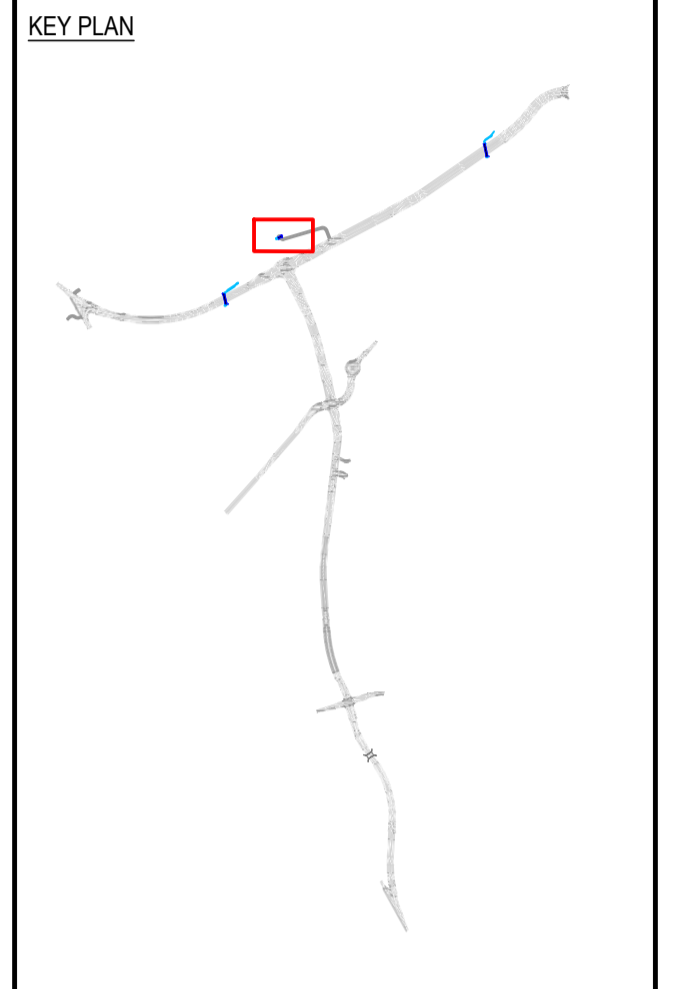


© COPYRIGHT OF THIS DRAWING IS RESERVED BY DBFL CONSULTING ENGINEERS. NO PART SHALL BE REPRODUCED OR TRANSMITTED WITHOUT THEIR WRITTEN PERMISSION.

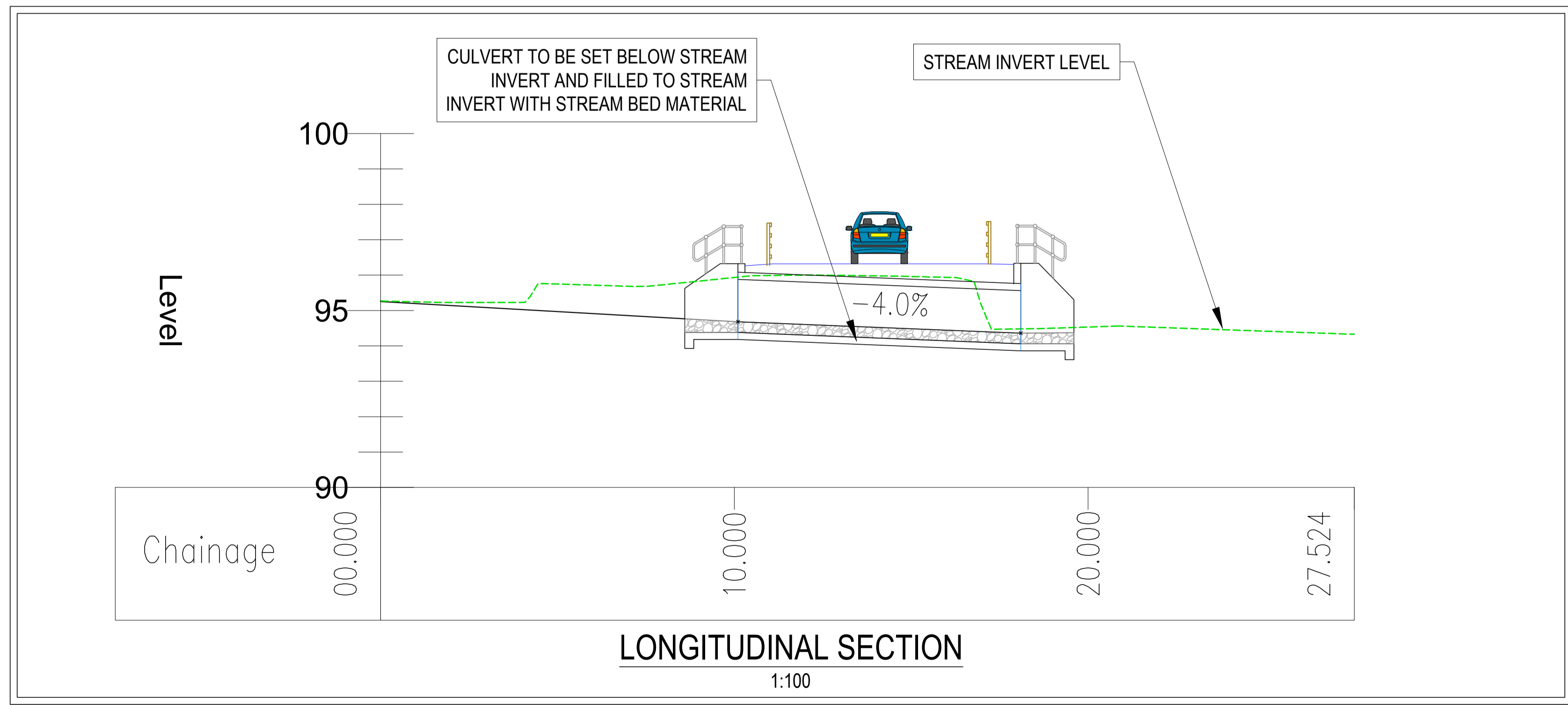


- NOTES:
1. DRAWINGS ARE PRELIMINARY DESIGNS FOR PLANNING ONLY AND ARE SUBJECT TO DETAILED DESIGN
 2. ALL WATERCOURSE CROSSING WORKS SUBJECT TO OPW SECTION 50 APPROVAL AND APPROVAL BY INLAND FISHERIES IRELAND

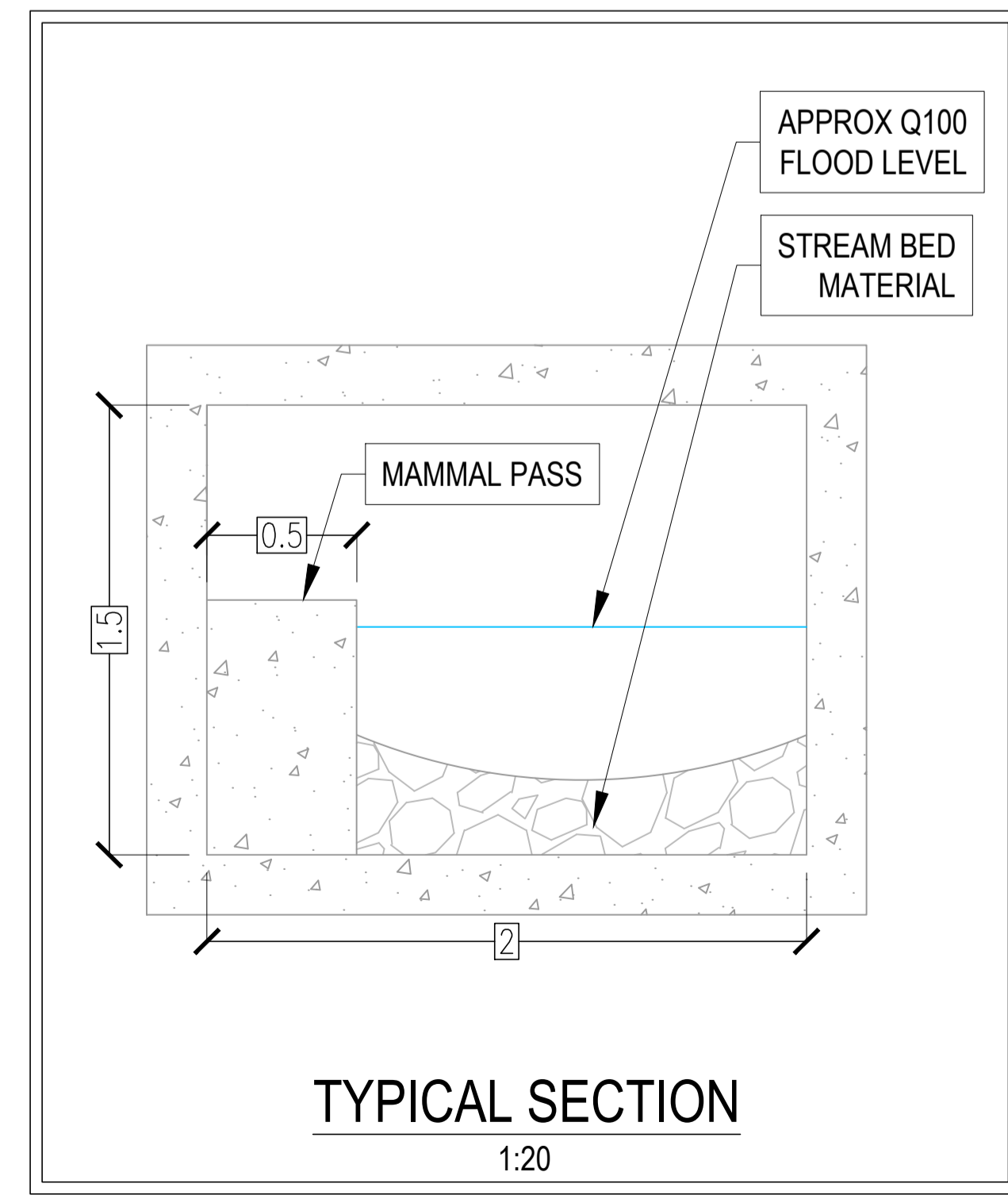
- LEGEND
- WX00 WATERCOURSE CROSSING
 - WATERCOURSE (EPA MAPPED)
 - WATERCOURSE (LOCAL DRAINAGE)



PLAN
1:250



LONGITUDINAL SECTION
1:100



TYPICAL SECTION
1:20

P1	13-03-19	ISSUED FOR PLANNING	DJG	JPC
REV.	DATE	DESCRIPTION	BY	CHKD.
DRAWING SUITABILITY S2 - FOR INFORMATION				
PLANNING				
DESIGNED	JPC	PREPARED	DJG	
DATE	JAN 2019	CHECKED	BLK	

DBFL
DUBLIN OFFICE Ormond House,
Upper Ormond Quay, Dublin 7, Ireland.
PHONE +353 1 400 4000
FAX +353 1 400 4050

WATERFORD OFFICE Unit 2, The Chandlery,
1-2 O'Connell Street, Waterford, Ireland.
PHONE +353 51 309 500
FAX +353 51 844 913

DBFL Consulting Engineers email: info@dbfl.ie www: www.dbfl.ie

PROJECT
GLENAMUCK DISTRICT ROADS SCHEME

DRG. TITLE
FIGURE 14-3 - WATERCROSSING DETAILS - WX02

CLIENT
dlr
Comhairle Contae County Council

SCALE AS SHOWN @A1 FILE REF. 170172-DBFL-01-XX-DR-C-3101
AS SHOWN X2 @A3

DBFL DRG. NO. 170172-DBFL-01-XX-DR-C-3102 P1

EIA/Figure REF **FIGURE 14-3**